

Lanner

Vehicle Computing

Extension Modules for Vehicles Computing Applications

PGN-750 User Manual

Version: 1.2

Date of Release: 2022-09-06

About this Document

This manual describes the overview of the various functionalities of this product, and the information you need to get it ready for operation. It is intended for those who are:

- responsible for installing, administering and troubleshooting this system or Information Technology professionals.
- assumed to be qualified in the servicing of computer equipment, such as professional system integrators, or service personnel and technicians.

The latest version of this document can be found on Lanner's official website, available either through the product page or through the [Lanner Download Center](#) page with a login account and password.

Copyright and Trademarks

This document is copyrighted © 2022 by Lanner Electronics Inc. All rights are reserved. The original manufacturer reserves the right to make improvements to the products described in this manual at any time without notice.

No part of this manual may be reproduced, copied, translated or transmitted in any form or by any means without the prior written permission of the original manufacturer.

Information provided in this manual is intended to be accurate and reliable. However, the original manufacturer assumes no responsibility for its use, nor for any infringements upon the rights of third parties that may result from such use.

Acknowledgment

All other product names or trademarks are properties of their respective owners.

Documentation Feedback

Your feedback is valuable to us, as it will help us continue to provide you with more accurate and relevant documentation. To provide any feedback, comments or to report an error, please email to contact@lannerinc.com, Thank you for your time.

Contact Information

Taiwan Corporate Headquarters

Lanner Electronics Inc.

7F, No.173, Sec.2, Datong Rd.
Xizhi District, New Taipei City 22184,
Taiwan

立端科技股份有限公司

221 新北市汐止區
大同路二段 173 號 7 樓

T: +886-2-8692-6060

F: +886-2-8692-6101

E: contact@lannerinc.com

USA

Lanner Electronics Inc.

47790 Westinghouse Drive
Fremont, CA 94539

T: +1-855-852-6637

F: +1-510-979-0689

E: sales_us@lannerinc.com

Europe

Lanner Europe B.V.

Wilhelmina van Pruisenweg 104
2595 AN The Hague
The Netherlands

T: +31 70 701 3256

E: sales_eu@lannerinc.com

China

Beijing L&S Lancom Platform Tech. Co., Ltd.

Guodong LOFT 9 Layer No. 9 Huinan Road,
Huilongguan Town, Changping District, Beijing
102208 China

T: +86 010-82795600

F: +86 010-62963250

E: service@ls-china.com.cn

Canada

Lanner Electronics Canada Ltd

3160A Orlando Drive
Mississauga, ON
L4V 1R5 Canada

T: +1 877-813-2132

F: +1 905-362-2369

E: sales_ca@lannerinc.com

Safety Guidelines

Follow these guidelines to ensure general safety:

- ▶ Keep the chassis area clear and dust-free during and after installation.
- ▶ Do not wear loose clothing or jewelry that could get caught in the chassis. Fasten your tie or scarf and roll up your sleeves.
- ▶ Wear safety glasses if you are working under any conditions that might be hazardous to your eyes.
- ▶ Do not perform any action that creates a potential hazard to people or makes the equipment unsafe.
- ▶ Disconnect all power by turning off the power and unplugging the power cord before installing or removing a chassis or working near power supplies
- ▶ Do not work alone if potentially hazardous conditions exist.
- ▶ Never assume that power is disconnected from a circuit; always check the circuit.

Consignes de sécurité

Suivez ces consignes pour assurer la sécurité générale :

- ▶ Laissez la zone du châssis propre et sans poussière pendant et après l'installation.
- ▶ Ne portez pas de vêtements amples ou de bijoux qui pourraient être pris dans le châssis. Attachez votre cravate ou écharpe et remontez vos manches.
- ▶ Portez des lunettes de sécurité pour protéger vos yeux.
- ▶ N'effectuez aucune action qui pourrait créer un danger pour d'autres ou rendre l'équipement dangereux.
- ▶ Coupez complètement l'alimentation en éteignant l'alimentation et en débranchant le cordon d'alimentation avant d'installer ou de retirer un châssis ou de travailler à proximité de sources d'alimentation.
- ▶ Ne travaillez pas seul si des conditions dangereuses sont présentes.
- ▶ Ne considérez jamais que l'alimentation est coupée d'un circuit, vérifiez toujours le circuit. Cet appareil génère, utilise et émet une énergie radiofréquence et, s'il n'est pas installé et utilisé conformément aux instructions des fournisseurs de composants sans fil, il risque de provoquer des interférences dans les communications radio.

Operating Safety

- ▶ Electrical equipment generates heat. Ambient air temperature may not be adequate to cool equipment to acceptable operating temperatures without adequate circulation. Be sure that the room in which you choose to operate your system has adequate air circulation.
- ▶ Ensure that the chassis cover is secure. The chassis design allows cooling air to circulate effectively. An open chassis permits air leaks, which may interrupt and redirect the flow of cooling air from internal components.
- ▶ Electrostatic discharge (ESD) can damage equipment and impair electrical circuitry. ESD damage occurs when electronic components are improperly handled and can result in complete or intermittent failures. Be sure to follow ESD-prevention procedures when removing and replacing components to avoid these problems.
- ▶ Wear an ESD-preventive wrist strap, ensuring that it makes good skin contact. If no wrist strap is available, ground yourself by touching the metal part of the chassis.
- ▶ Periodically check the resistance value of the antistatic strap, which should be between 1 and 10 megohms (Mohms).

Sécurité de fonctionnement

- ▶ L'équipement électrique génère de la chaleur. La température ambiante peut ne pas être adéquate pour refroidir l'équipement à une température de fonctionnement acceptable sans circulation adaptée. Vérifiez que votre site propose une circulation d'air adéquate.
- ▶ Vérifiez que le couvercle du châssis est bien fixé. La conception du châssis permet à l'air de refroidissement de bien circuler. Un châssis ouvert laisse l'air s'échapper, ce qui peut interrompre et rediriger le flux d'air frais destiné aux composants internes.
- ▶ Les décharges électrostatiques (ESD) peuvent endommager l'équipement et gêner les circuits électriques. Des dégâts d'ESD surviennent lorsque des composants électroniques sont mal manipulés et peuvent causer des pannes totales ou intermittentes. Suivez les procédures de prévention d'ESD lors du retrait et du remplacement de composants.
- ▶ Portez un bracelet anti-ESD et veillez à ce qu'il soit bien au contact de la peau. Si aucun bracelet n'est disponible, reliez votre corps à la terre en touchant la partie métallique du châssis.
- ▶ Vérifiez régulièrement la valeur de résistance du bracelet antistatique, qui doit être comprise entre 1 et 10 mégohms (Mohms).

Table of Contents

Chapter 1: Product Overview	6
Package Content.....	6
Ordering Information	6
System Specifications	6
Chapter 2: Hardware Setup.....	8
Setting up the PGN Module.....	8
Mounting Omni Antennas	10
Appendix A: Terms and Conditions	11
Warranty Policy	11

CHAPTER 1: PRODUCT OVERVIEW

Lanner PGN-750 is a 5G Pigeon (PGN) module, compatible with Lanner Vehicle Computers. PGN-750 supports a built-in 5G radio modem, backward compatible with 4G/LTE, in addition to SIM card readers, four 5G antenna jacks and indoor/outdoor omni-directional antenna/cable kit, in addition to a hot-swappable interface for maximum flexibility. To assure constant connectivity, PGN-750 offers failover mechanism for 24/7 operation. The module is optimally designed for public safety, video surveillance and in-vehicle SD-WAN applications.

Packge Content

- ▶ 1x PGN-750 5G Pigeon Module
- ▶ 4x External Omni-directional Antennas and Cables



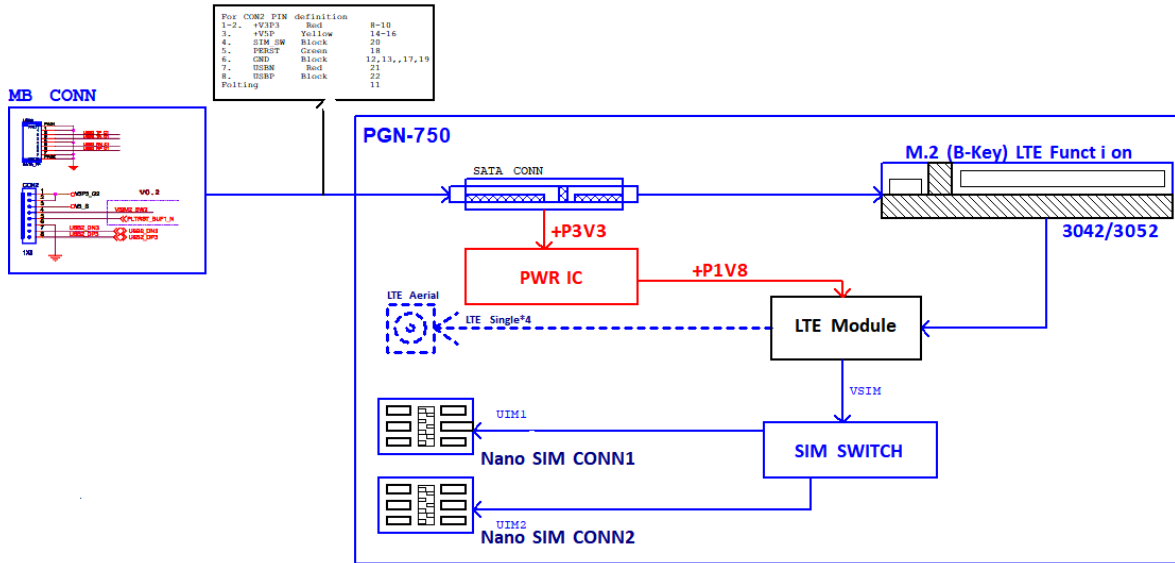
Ordering Information

SKU No.	Main Features
PGN-750	Swappable 5G Quectel RM500Q-AE module with antenna/cable kit. (Options for Thales MV31-W and Telit FN980 5G modules)

System Specifications

System Compatibility		Lanner Vehicle PC V3S
Interface	Connector	SATA connector with USB 3.0 signal
	M.2	1x M.2 3042/50/52 B-Key socket with dual-SIM card reader
Environmental Parameters	Temperature	-40~70°C Operating, -40~85°C Non-Operating
	Humidity (RH)	5%~90% RH, Non-condensing
System Dimensions	Size (WxDxH)	75 x 115.97 x 14.5mm
	Weight	0.4kg

Block Diagram



CHAPTER 2: HARDWARE SETUP

To reduce the risk of personal injury, electric shock, or damage to the system, please remove all power connections and wear ESD protection gloves when handling the installation steps.

Setting up the PGN Module

The PGN module kit contains the following items:

- ▶ 1x PGN Module
- ▶ 4x Antennas



PGN-750 Module



4x Antennas

Installing SIM Cards

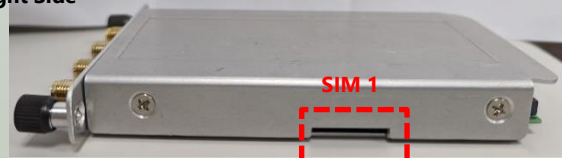
1. Locate the SIM card holder on the bottom sides (one right, one left) of the PGN module.



Left Side



Right Side



2. Insert and push the SIM card all the way in until it clicks into place.



3. To remove the SIM card, push the card once, and the card will automatically eject.

Switch Pin Coordination



SKU No.	5G Model No.	Switch Pin
PGN-750A	Reserved	3-2
PGN-750B	RM500Q-AE	2-1

Installing PGN Module

1. Locate the PGN module slot on the panel of the system. (Placement of the module slot will be different based the system.)



2. Insert the PGN module. (Image is for reference only.)



3. Once the module is firmly seated, secure with two (2) screws.



4. Secure the four (4) antennas on the front side of the PGN module.



5. Installation has now been completed.

Mounting Omni Antennas

PGN-750 comes with 4x omni-directional dipole antennas and cable kit that can be mounted indoors or outdoors on a mast/pole.

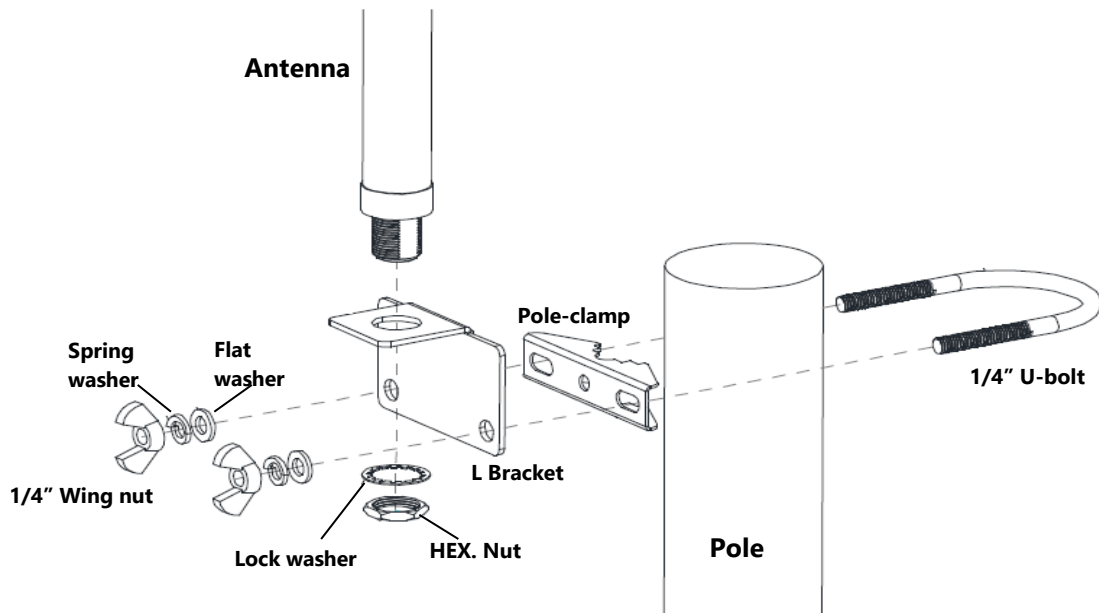
Specification

Usage Environment	Indoor / Outdoor
Frequency Range	3300~ 4800 MHz
Impedance	50 Ohms
Type/Polarization	Dipole, Vertical
Cable Length	2000mm
Antenna Dimensions (HxW)	231mm x 23mm
Operating Temperature Range	-40°C ~ 70°C
Mounting	Mast/Pole, Pole diameter: 1.5"~2.0" max

Each antenna mounting kit contains the following items:

- ▶ 1x Omni Antenna & Cable
- ▶ 1x Surge Arrester
- ▶ 1x L Bracket
- ▶ 1x Pole-clamp
- ▶ 1x 1/4" U-bolt
- ▶ 2x Flat washer
- ▶ 2x Spring washer
- ▶ 2x 1/4" Wing nut
- ▶ 1x Lock washer
- ▶ 1x HEX. Nut

Installing Omni Antenna



APPENDIX A: TERMS AND CONDITIONS

Warranty Policy

1. All products are under warranty against defects in materials and workmanship for a period of one year from the date of purchase.
2. The buyer will bear the return freight charges for goods returned for repair within the warranty period; whereas the manufacturer will bear the after-service freight charges for goods returned to the user.
3. The buyer will pay for repair (for replaced components plus service time) and transportation charges (both ways) for items after the expiration of the warranty period.
4. If the RMA Service Request Form does not meet the stated requirement as listed on "RMA Service," RMA goods will be returned at customer's expense.
5. The following conditions are excluded from this warranty:
 - ▶ Improper or inadequate maintenance by the customer
 - ▶ Unauthorized modification, misuse, or reversed engineering of the product
 - ▶ Operation outside of the environmental specifications for the product.

RMA Service

Requesting an RMA#

1. To obtain an RMA number, simply fill out and fax the "RMA Request Form" to your supplier.
2. The customer is required to fill out the problem code as listed. If your problem is not among the codes listed, please write the symptom description in the remarks box.
3. Ship the defective unit(s) on freight prepaid terms. Use the original packing materials when possible.
4. Mark the RMA# clearly on the box.



Note: Customer is responsible for shipping damage(s) resulting from inadequate/loose packing of the defective unit(s). All RMA# are valid for 30 days only; RMA goods received after the effective RMA# period will be rejected.

RMA Service Request Form

When requesting RMA service, please fill out the following form. Without this form enclosed, your RMA cannot be processed.

RMA No:	Reasons to Return: <input type="checkbox"/> Repair(Please include failure details) <input type="checkbox"/> Testing Purpose
Company:	Contact Person:
Phone No.	Purchased Date:
Fax No.:	Applied Date:
Return Shipping Address: _____	
Shipping by: <input type="checkbox"/> Air Freight <input type="checkbox"/> Sea <input type="checkbox"/> Express _____	
<input type="checkbox"/> Others: _____	

Item	Model Name	Serial Number	Configuration

Item	Problem Code	Failure Status

***Problem Code:**

- | | | | |
|------------------------|------------------------------|--------------------|--------------------------|
| 01: D.O.A. | 07: BIOS Problem | 13: SCSI | 19: DIO |
| 02: Second Time R.M.A. | 08: Keyboard Controller Fail | 14: LPT Port | 20: Buzzer |
| 03: CMOS Data Lost | 09: Cache RMA Problem | 15: PS2 | 21: Shut Down |
| 04: FDC Fail | 10: Memory Socket Bad | 16: LAN | 22: Panel Fail |
| 05: HDC Fail | 11: Hang Up Software | 17: COM Port | 23: CRT Fail |
| 06: Bad Slot | 12: Out Look Damage | 18: Watchdog Timer | 24: Others (Pls specify) |

Request Party

Confirmed By Supplier

Authorized Signature / Date

Authorized Signature / Date